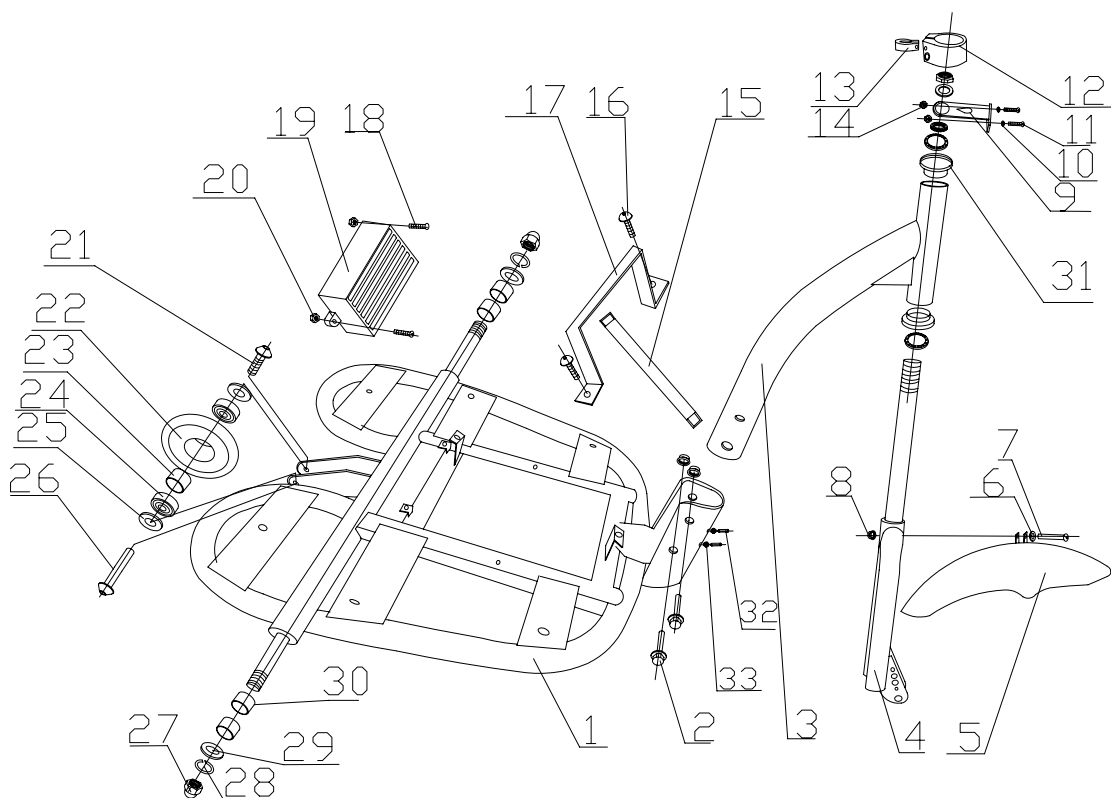
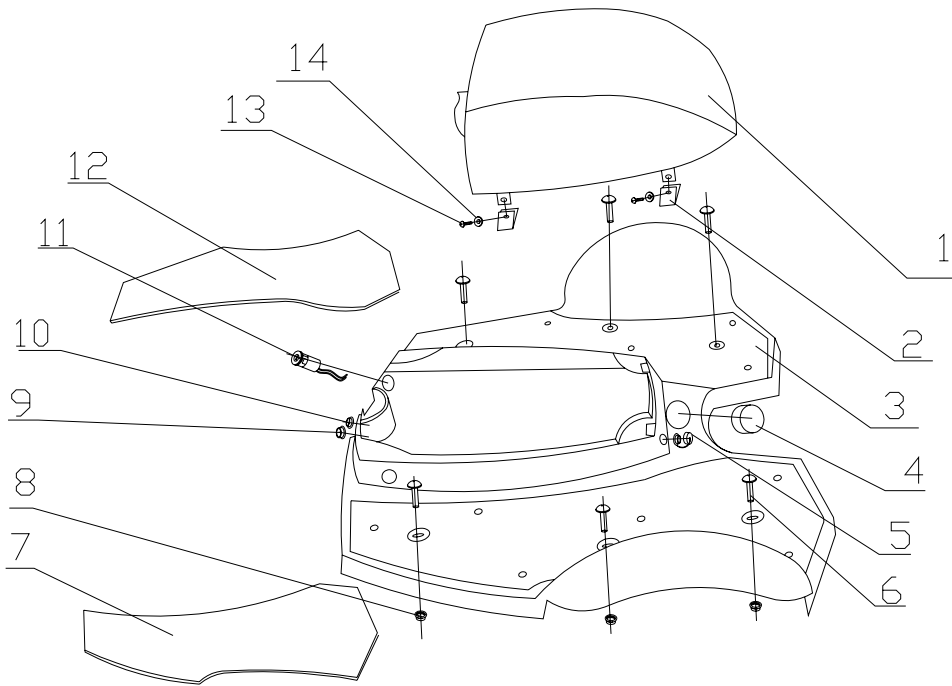


## AGDH 3Q-HD PARTS BOOK

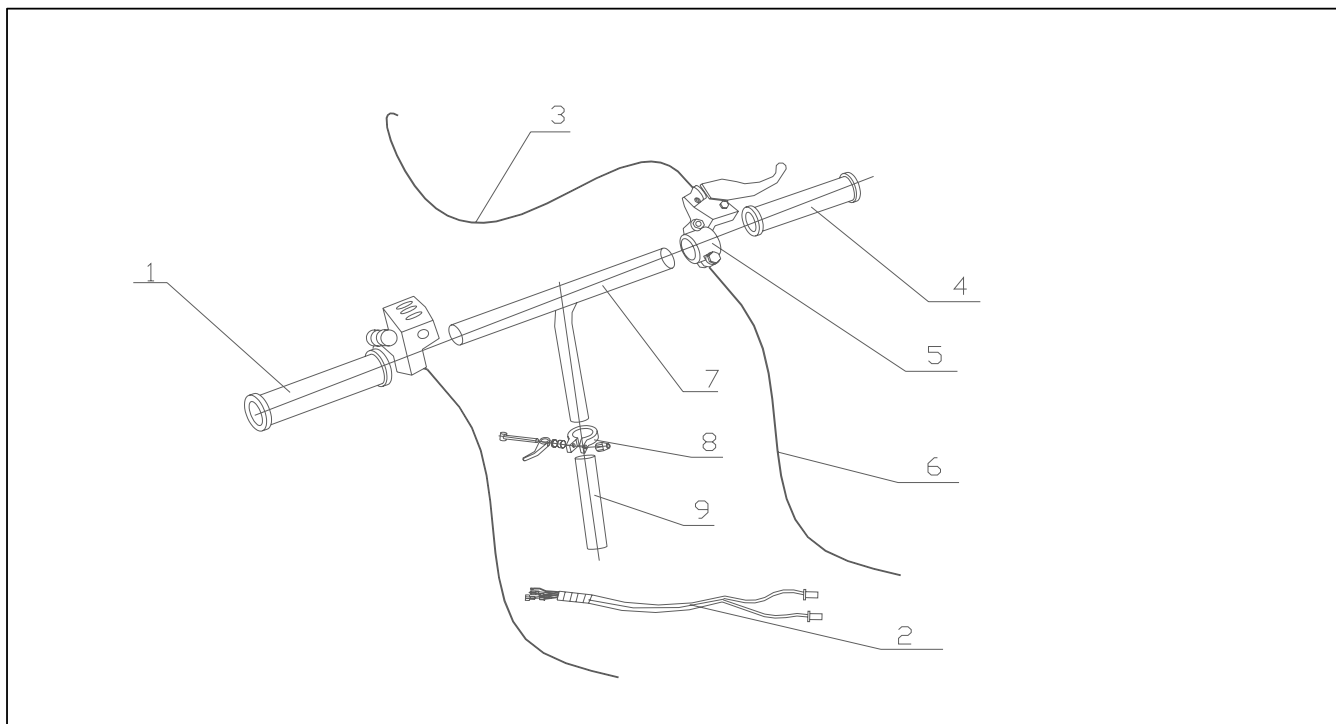


sn	Part LC.ode	Description		Qty/Vehicle		
1	LC.701.011	frame	主车架体	1		
2	B.GB5789.M10X55	M10X55 bolt	六角法兰面螺栓 M10X55	2		
3	LC.701.012-2	bent tube	头管	1		
4	LC.701.023-4	front fork	前叉	1		
5	LC.701.07.01	front fender	前泥板	1		
6	B.GB95. 6	washer	平垫圈 6	1		
7	B.GB818.M6X45	M6X45 bolt	十字槽盘头螺钉 M6X45	1		
8	B.GB6177-1.M6	screw	六角法兰面螺母 M6	1		
9	LC.701.101.01	basket bracket	灯架	1		
10	B.GB95. 5	washer	平垫圈 5	4		
11	B.GB818.M5X16	M5X16 bolt	十字槽盘头螺钉 M5X16	2		
12	LC.701.0222	handle bar tube clamp	双螺钉锁紧装置	1		
13	T.QTL.1072.08	wire rubber holder	线夹	2		
14	B.GB41.M5	screw	六角螺母 M5	2		
15	LC.701.0522	battery holding rope	电池固定带	1		
16	B.GB818.M5X16	M5X16 bolt	十字槽盘头螺钉 M5X16	2		
17	LC.701.0523.01	battery holding plate	电池压条	1		
18	B.GB818.M5X16	M5X16 bolt	十字槽盘头螺钉 M5X16	2		
19	LC.701.053	controller	控制器 (36V)	1		
20	B.GB41. M5	screw	六角螺母 M5	2		
21	B.GB70-2. M6X12	M6X12 bolt	内六角平圆头螺钉 M6X12	1		
22	LC.701.0431.01	PU wheel	PU轮	1		

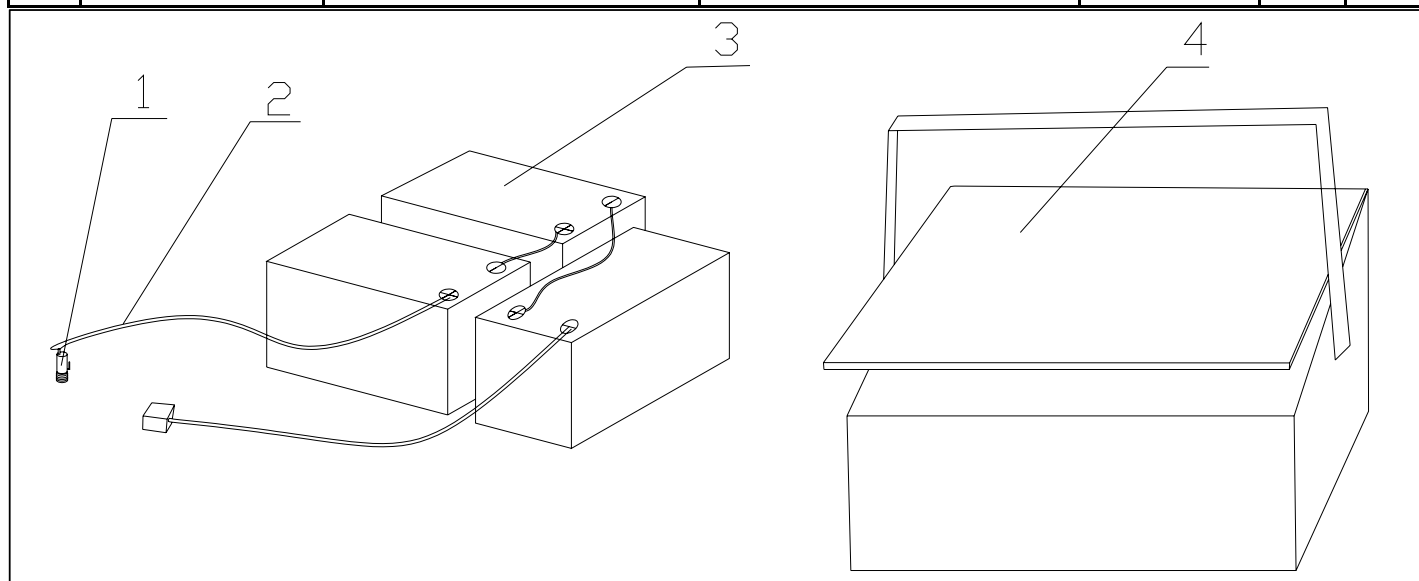
23	LC.701.0431.02	bush	衬套	1		
24	LC.701.0431.03	bearing	轴承	2		
25	B.GB95. 6	washer	平垫圈 6	2		
26	B.GBAG004. M6X35	M6X35 bolt	内六角平圆头螺桶 M6X35	1		
27	B.GB923. M14	screw	盖型螺母 M14	2		
28	B.GB93 . 14	spring washer	弹簧垫圈 14	2		
29	B.GB95.14	washer	平垫圈 14	2		
30	LC.701.042.02	bush	衬套 $\Phi 20 \times 5$	4		
31	T.QTL.024	bearing races	八件碗	1 set		
32	B.GB80.M6X12	bolt	内六角锥端紧钉螺钉	2		
33	B.GB41.M6	screw	六角螺母 M6	2		



sn	Part LC.ode	Description		Qty/Vehicle		
1	LC.701.07.02	battery cover box	电池盒覆盖件	1		
2	B.GBAG008	screwing plate	带螺纹孔卡片	4		
3	LC.701.071.01	footboard	主覆盖件	1		
4	LC.701.071.02	rubber	橡胶盖	1		
5	T.DQL.059	charger socket	充电器座	1		
6	B.GBAG001. M6X16	M6X16 bolt	开槽大扁头螺钉 M6X16	6		
7	LC.701.072.01	left footboard rubber	左脚踏皮	1		
8	B.GB.6177-1. M6	screw	六角法兰面螺母 M6	6		
9	LC.701.0541	motor connecting socket	电机插座	1		
10	LC.701.0542	throttle connecting socket	调速手把插座	1		
11	LC.707.055	key ignition	电门锁及内齿	1		
12	LC.701.072.02	right footboard rubber	右脚踏皮	1		
13	B.GB.818.M5X16	M5X16 bolt	十字槽盘头螺钉 M5X16	4		
14	B.GB.95. 5	washer	平垫圈 5	4		

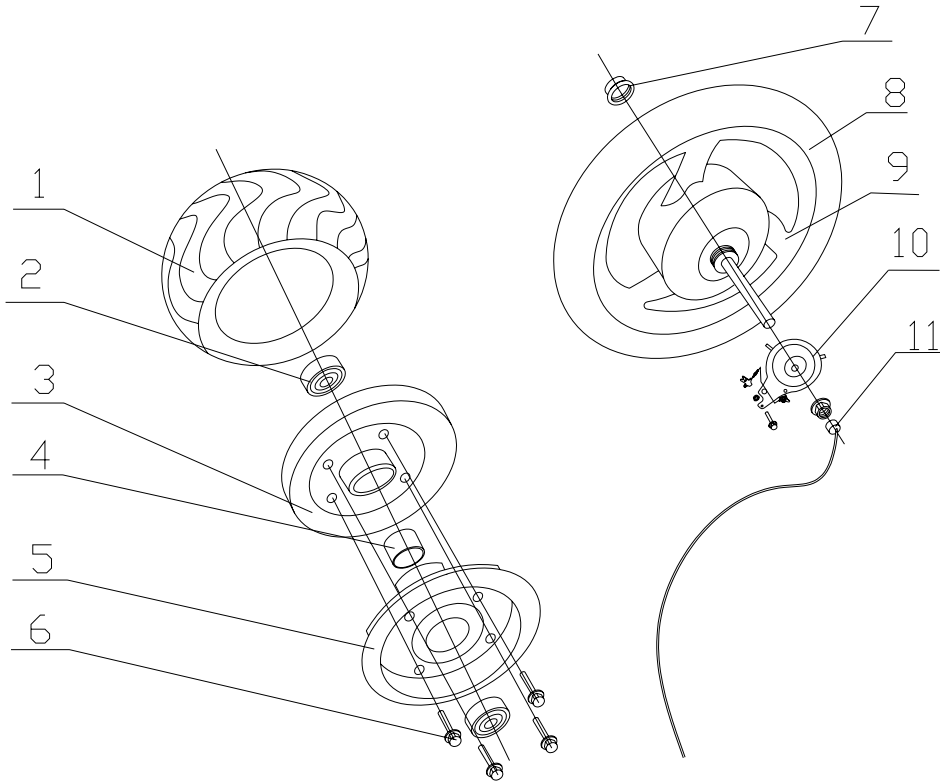


sn	Part LC.ode	Description		Qty/Vehicle		
1	LC.701.02121	throttle	指拨调速转把	1 set		
2	LC.701.055-2	main cable	总线	1		
3	LC.701.032-1	front cable	前刹线	1		
4	LC.701.0212	lef handlebar grip	左把套	1		
5	LC.701.031	left brake lever	左刹把	1		
6	LC.701.031.01	power cut off wire	刹车断电线	1		
7	LC.701.0211	handlebar	方向把	1		
8	T.QTL.034	handlebar tube quick release	快拆装置	1 set		
9	LC.701.0221	handlebar tube	前立管	1		



sn	Part LC.ode	Description		Qty/Vehicle		
1	T.DQL.058	fuse	保险丝	1		
2	LC.701.0551	battery connecting wires	电池连接线	1 set		
3	T.DQL.057	36V/10.5AH*2 battery pack	电池	2		

4	LC.707.0561	battery bag	电池包	1		
---	-------------	-------------	-----	---	--	--



sn	Part LC.ode	Description		Qty/Vehicle		
1	LC.701.0421	real tire	后轮胎	2		
2	LC.701.04223	bearing	轴承	4		
3	LC.701.04221	inner hub	内轮毂	2		
4	LC.701.042.01	bush	衬套 Φ20X24	2		
5	LC.701.04222	outer hub	外轮毂	2		
6	B.GB5789. M6X20	M6X20 bolt	六角法兰面螺栓 M6X20	8		
7	T.DQL.051.02-1	screw	前轮螺母	2		
8	LC.701.041	front tire with tube	前轮胎 (含内外胎和衬带)	1		
9	T.DQL.051.04	350W hub motor	轮毂电机 (三江大电机)	1 set		
10	T.QTL.032	drum brake	涨刹组件	1 set		
11	T.DQL.051.01-1	motor wire	电机线	1		

1	T.DQL.103.01	charger	充电器	1		
2	LC.701.105.02	sticker	贴花	1		
3	LC.701.104	tool kit	随车工具	1 set		
4	LC.701.106	manual	说明书	1		
5	LC.701.103	basket	网篮及压板	1set (optional)		
6	LC.701.101.02	basket bracket	网篮支架			
7	T.QTL.108.01	brake cable cover	刹线保护套	1(10m)		